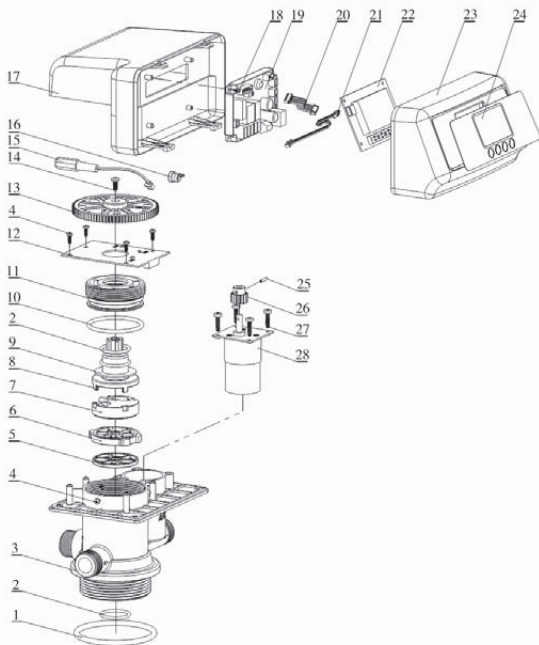


MODEL: F71B/F71G/F67B/F67C/F67G/N75A/N75B

3.7. Assembly & Parts

F71B1 (53502) Valve Body Assembly



MODEL: F71B/F71G/F67B/F67C/F67G/N75A/N75B

F71B1 (53502) Valve Body Components

Item No.	Description	Part Number	Quantity	Item No.	Description	Part Number	Quantity
1	O-ring 73 × 5.3	8378143	1	15	Wire for Power	5513001	1
2	O-ring 25.8 × 2.65	8378078	3	16	Cable Clip	8126004	1
3	Valve Body (ABS+GF10)	5022160	1	17	Dust Cover	8005005	1
	Valve Body (PPO+GF20)	5022161		18	Screw, Cross ST2.2×6.5	8909004	2
4	Screw, Cross ST2.9×9.5	8909008	6	19	Control Board	6382003	1
5	Sealing Ring	8370038	1	20	Wire for Locating Board	5511001	1
6	Fixed Disk	8469018	1	21	Wire for Display Board	5512001	1
7	Moving Disk	8459019	1	22	Display Board	6381003	1
8	Shaft	8258009	1	23	Front Cover	8300004	1
9	Anti-friction Washer	8216010	1	24	Label	8865004	1
10	O-ring 50.39×3.53	8378107	1	25	Pin Φ2.5×12	8993003	1
11	Fitting Nut	8092007	1	26	Small Gear, Motor	8241010	1
12	Locating Board	6380009	1	27	Screw, Cross	8909044	4
13	Big Gear, Driven	5241005	1	28	Motor	6158006	1
14	Screw, Cross ST3.9×13	8909013	1				