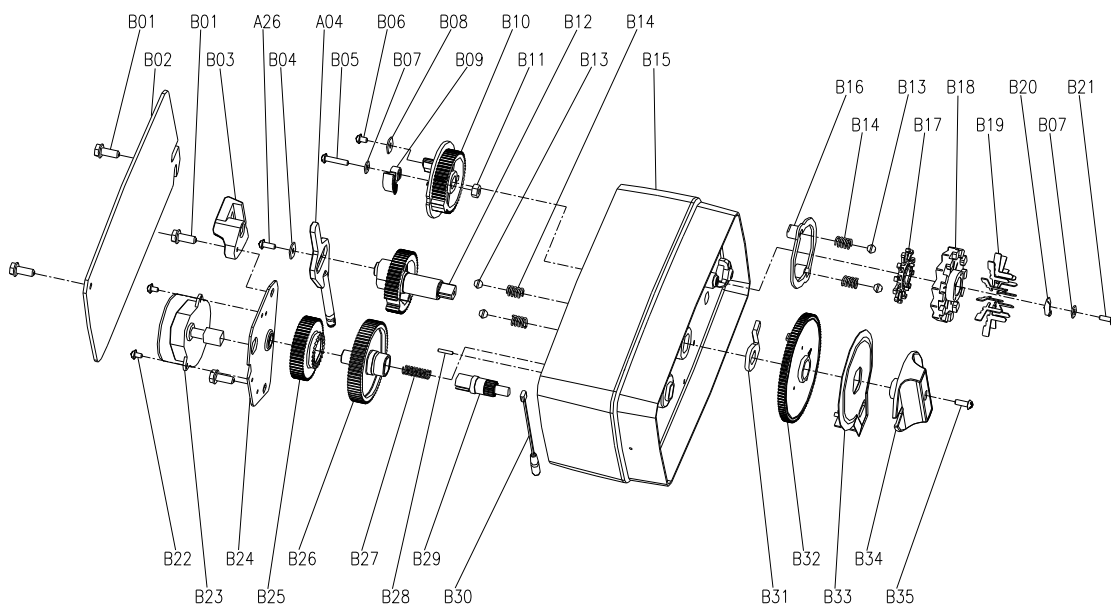


# BNT65 Series Valve Operation Manual

## Valve Powerhead Assembly



Bnt65 Powerhead Assembly

### Bnt65 Powerhead Assembly Parts List

Item No.	Part No.	Part Description	Quantity
B01	05056136	Screw-ST3.5x13(Hexagon with Washer)	4
B02	05056014	Bnt65 Back Cover	1
B03	05010045	Piston Stem Holder	1
A26	13000426	Screw-ST2.9x13(Large Wafer)	1
B04	05056139	Washer-3x13	1
A04	05010081	Bnt65 Piston Rod	1
B06	05056083	Screw-M4x14	1
B05	05056166	Screw-ST4.2x12(Large Wafer)	1
B07	13111004	Washer-4x9	2
B08	05056141	Washer-4x12	1
B09	05056016	Refill Regulator	1
B10	05056015	Brine Gear	1
	05056061	Meter Label	1
B11	05056089	Nut-M4	1
B12	05056005	Main Gear	1
B13	05056092	Ball-1/4inch	4
B14	05056095	Spring Detent	4

## **BNT65 Series Valve Operation Manual**

---

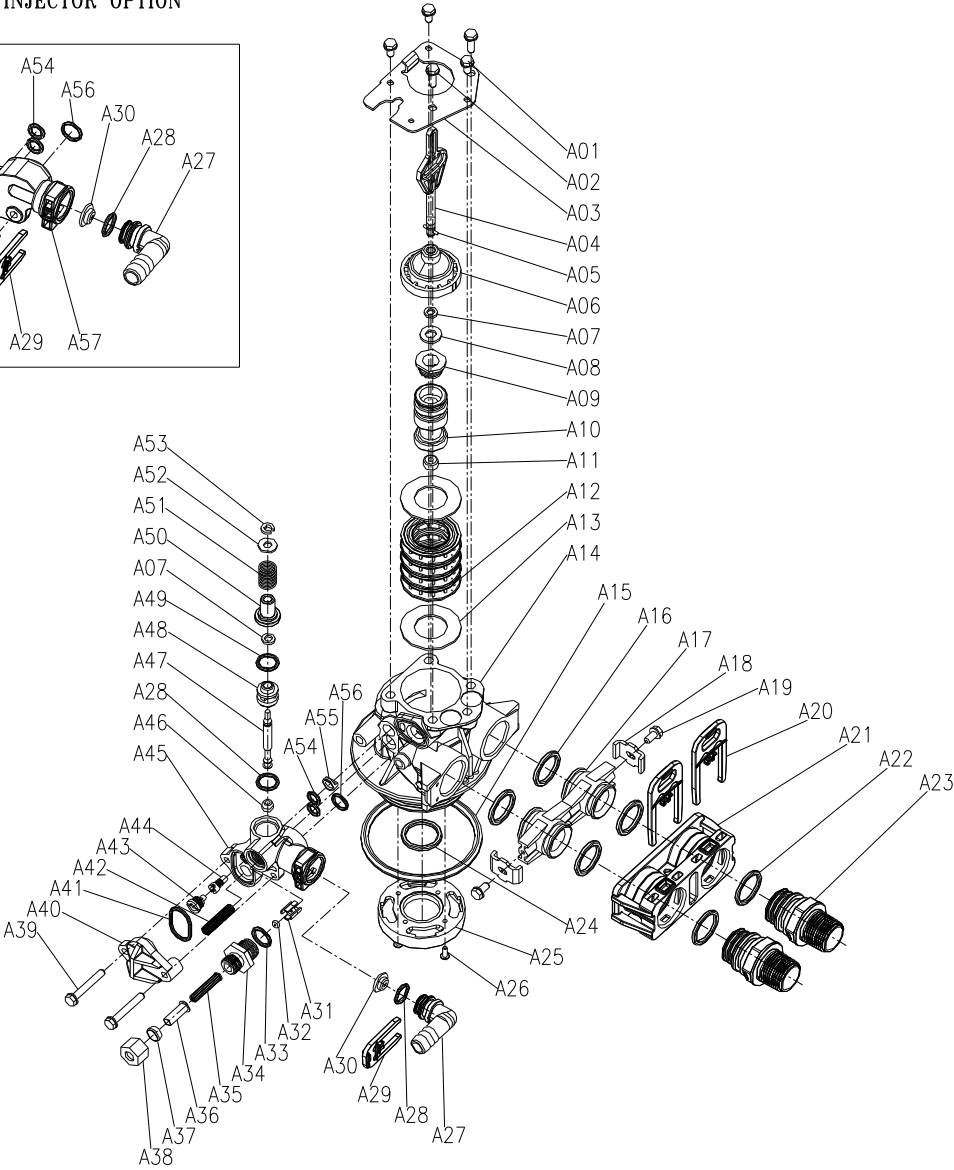
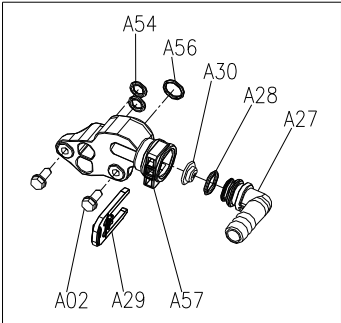
B15	05056001	Bnt65 Housing	1
	05056057	Ring Label	1
	05056056	Bnt65 Label	1
B16	05056011	Skipper Wheel Ring	1
B17	05056010	Skipper Retainer	1
B18	05056009	Skipper Wheel	1
B19	05056048	Skipper	12
B20	05056012	Reneneration Pointer	1
B21	05010037	Screw-ST2.9x10	1
B22	05056082	Screw-M3x5	2
B23	05056049	Motor(12V3W)	1
	11700005	Wire Connector	2
B24	05056045	Motor Mounting Plate	1
B25	05056004	Driven Gear	1
B26	05056002	Idler Gear	1
B27	05056094	Spring Idler	1
B28	05056098	Motor Pin	1
B29	05056003	Idler Pinion	1
B30	05010029	Power Cable	1
	05056013	Bnt65 Power Strain Relief	1
B31	05056007	Cycle Actuator Gear	1
B32	05056006	Timer Gear	1
	05056059	Timer Gear Label	1
B33	05056017	Reneneration Pointer Plate	1
B34	05056008	Bnt65 Knob	1
	05056111	Bnt65 Knob Label	1
B35	05056084	Screw-ST3.5x13	5

---

# BNT65 Series Valve Operation Manual

## Valve Body Assembly

FILTER INJECTOR OPTION



# BNT65 Series Valve Operation Manual

---

## Bnt65 Valve Body Assembly Parts List

Item No.	Part No.	Part Description	Quantity
A01	05056087	Screw-M5×12(Hexagon)	3
A02	05056088	Screw-M5×16(Hexagon with Washer)	2
A03	05056047	End Plug Retainer	1
A04	05010081	Bnt65 Piston Rod	1
A05	05056097	Piston Pin	1
A06	05056023	End Plug	1
A07	05056070	Quad Ring	2
A08	05056024	End Plug Washer	1
A09	05056022	Piston Retainer	1
A10	05056181	Piston (Electrical)	1
A11	05056104	Muffler	1
A12	05056021	Spacer	4
A13	05056073	Seal	5
A14	05056019	Bnt65 Valve Body	1
A15	05056063	O-ring-φ78.74×5.33	1
A16	05056129	O-ring-φ23×3	4
A17	05056025	Adaptor Coupling	2
A18	05056044	Adaptor Clip	2
A19	05056090	Screw-ST4.2×13(Hexagon with Washer)	2
A20	21709003	Secure Clip	2
A21	05056140	Valve Connector	1
A22	05056065	O-ring-φ23.6×2.65	2
A23	21319006	Screw Adaptor	2
A24	26010103	O-ring-φ25×3.55	1
A25	07060007	Valve Bottom Connector	1
A26	13000426	Screw-ST2.9×13(Large Wafer)	2
A27	05010082	Drain Fitting-B	1
A28	05056134	O-Ring-φ12×2	2
A29	05056172	Secure Clip—S	1
A30	05056186	DLFC-2#	1
A31	05056035	BLFC Button Retainer	1
A32	05056191	BLFC-2#	1
A33	05056138	O-Ring-φ14×1.8	1
A34	05056100B	BLFC Fitting	1
A35	05056106	Brine Line Screen	1
A36	05056107	BLFC Tube Insert	1
A37	05056033	BLFC Ferrule	1
A38	05056108	BLFC Fitting Nut	1
A39	05056086	Screw-M5×30(Hexagon with Washer)	2
A40	05056029	Injector Cover	1

---

# BNT65 Series Valve Operation Manual

---

A41	05056072	O-Ring- $\phi$ 24 $\times$ 2	1
A42	05056103	Injector Screen	1
A43	05056027	Injector Nozzle	1
A44	05056028	Injector Throat	1
A45	05056177	Injector Body-B	1
A46	05056075	Injector Seat	1
A47	05056054	Injector Stem	1
A48	05056031	Injector Spacer	1
A49	05056081	O-Ring- $\phi$ 12.5 $\times$ 1.8	1
A50	05056030	Injector Cap	1
A51	05056093	Injector Screen	1
A52	05010049	Special Washer	1
A53	05056105	Retaining Ring	1
A54	05056067	O-Ring- $\phi$ 7.8 $\times$ 1.9)	2
A55	05056037	Air Disperser	1
A56	05056066	O-Ring- $\phi$ 11 $\times$ 2	1
A57	05056165	Injector Body (Filter)	1

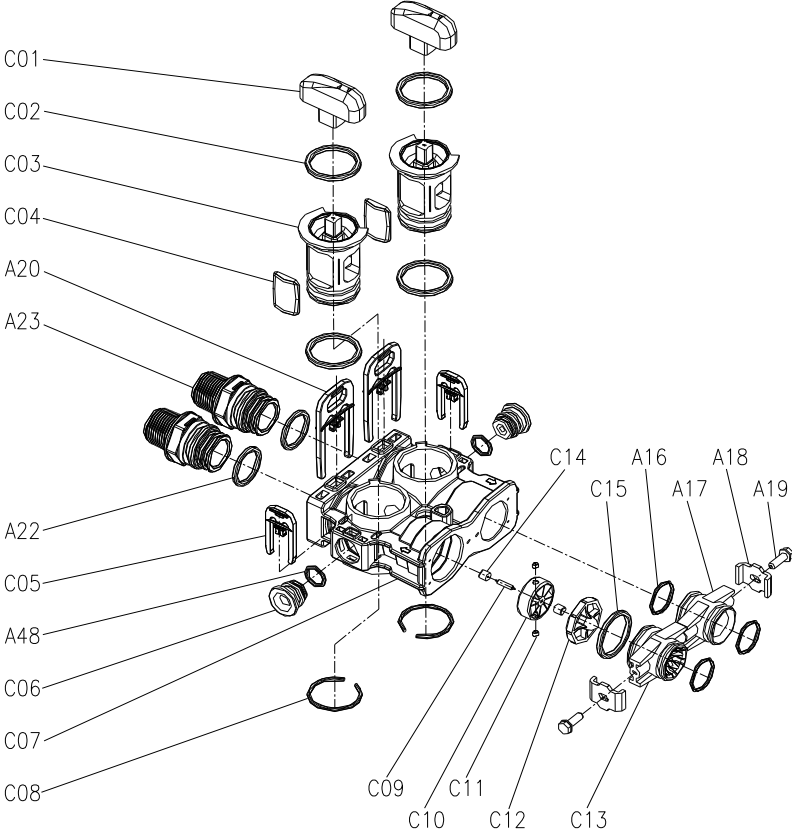
---

# BNT65 Series Valve Operation Manual

---

## Bypass Assembly

---



# **BNT65 Series Valve Operation Manual**

---

## **Bypass Assembly Parts List**

<b>Item No.</b>	<b>Part No.</b>	<b>Part Description</b>	<b>Quantity</b>
C01	05056147	Bypass Knob	2
C02	26010028	O-Ring- $\phi$ 28 $\times$ 2.65	4
C03	05056148	Bypass Plug	2
C04	05056149	Bypass Seal	2
A20	21709003	Secure Clip	2
A23	21319006	Screw Adaptor	2
A22	05056065	O-Ring- $\phi$ 23.6 $\times$ 2.65	2
C05	05056172	Secure Clip—S	2
A48	05056134	O-Ring- $\phi$ 12 $\times$ 2	1
C06	05056146	Bulkhead	2
C07	05056145	Bypass Body	1
C08	05056150	Collar— $\phi$ 32 $\times$ 2.5	2
C09	05010079	Impeller Pin	1
C10	05010014	Impeller	1
C11	05010078	Magnet- $\phi$ 4 $\times$ 3	2
C12	05010077	Impeller Holder	1
C13	05010083	Adaptor Distributor	1
C14	05010019	Pin Holder	2
C15	26010046	O-ring- $\phi$ 27 $\times$ 3	1
A16	05056129	O-ring- $\phi$ 23 $\times$ 3	3
A17	05056025	Adaptor Coupling	1
A18	05056044	Adaptor Clip	2
A19	05056090	Screw-ST4.2 $\times$ 13(Hexagon with Washer)	2

---